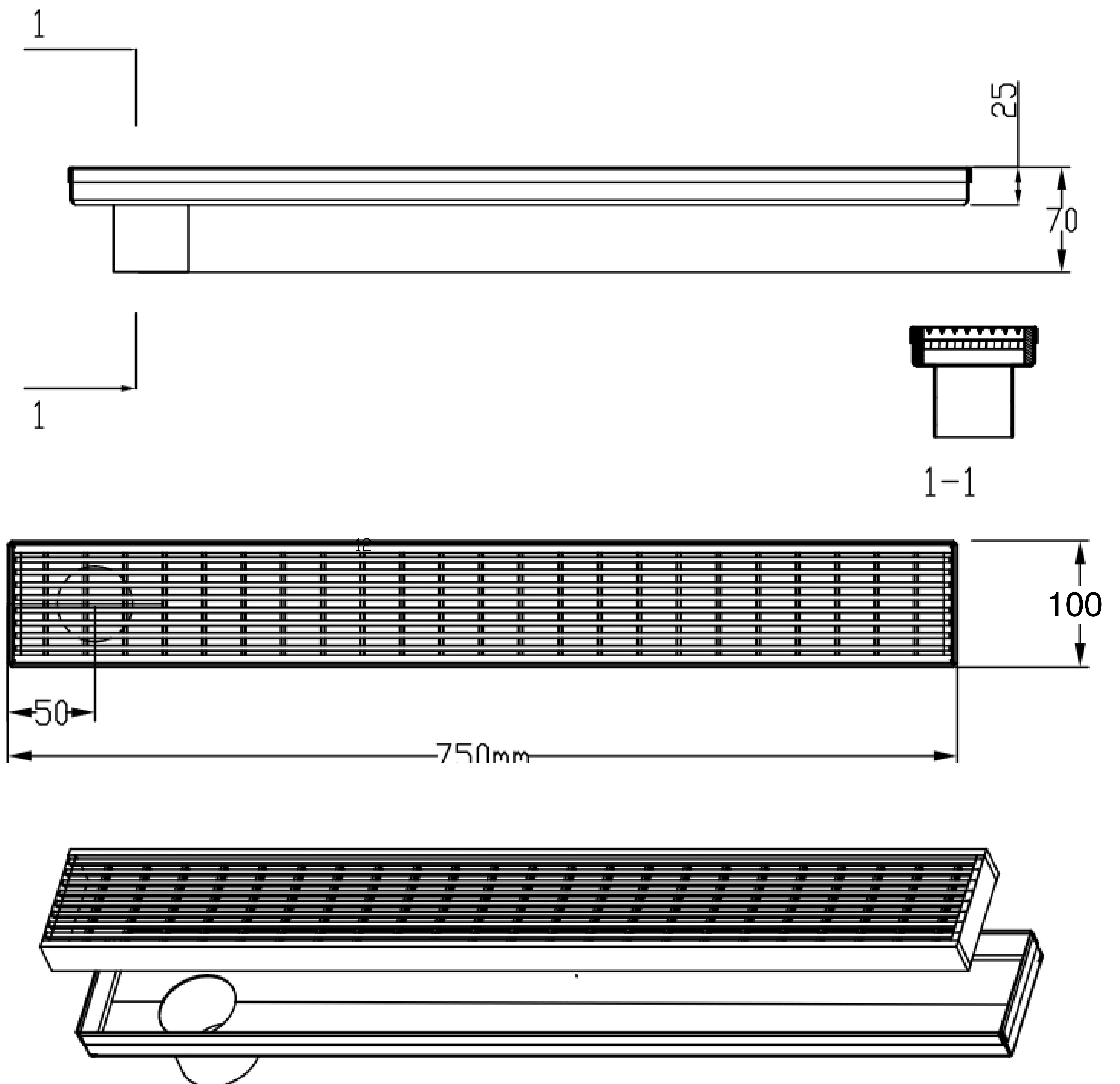


# Shower Channel Drainer

Product Code : 1437-750

## Technical Drawing



All dimension are in mm